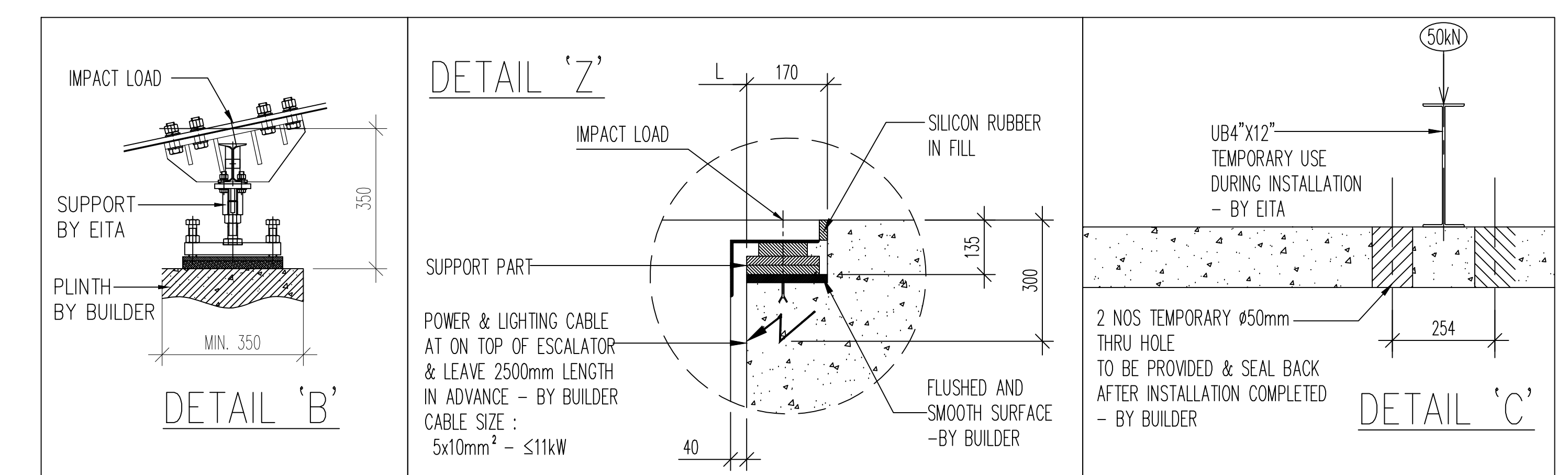
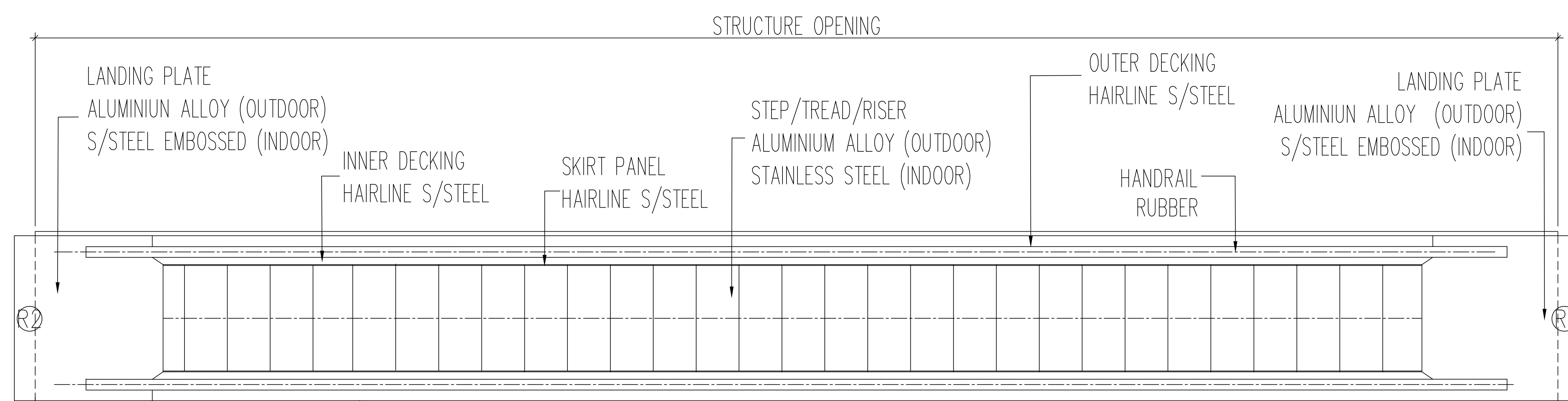
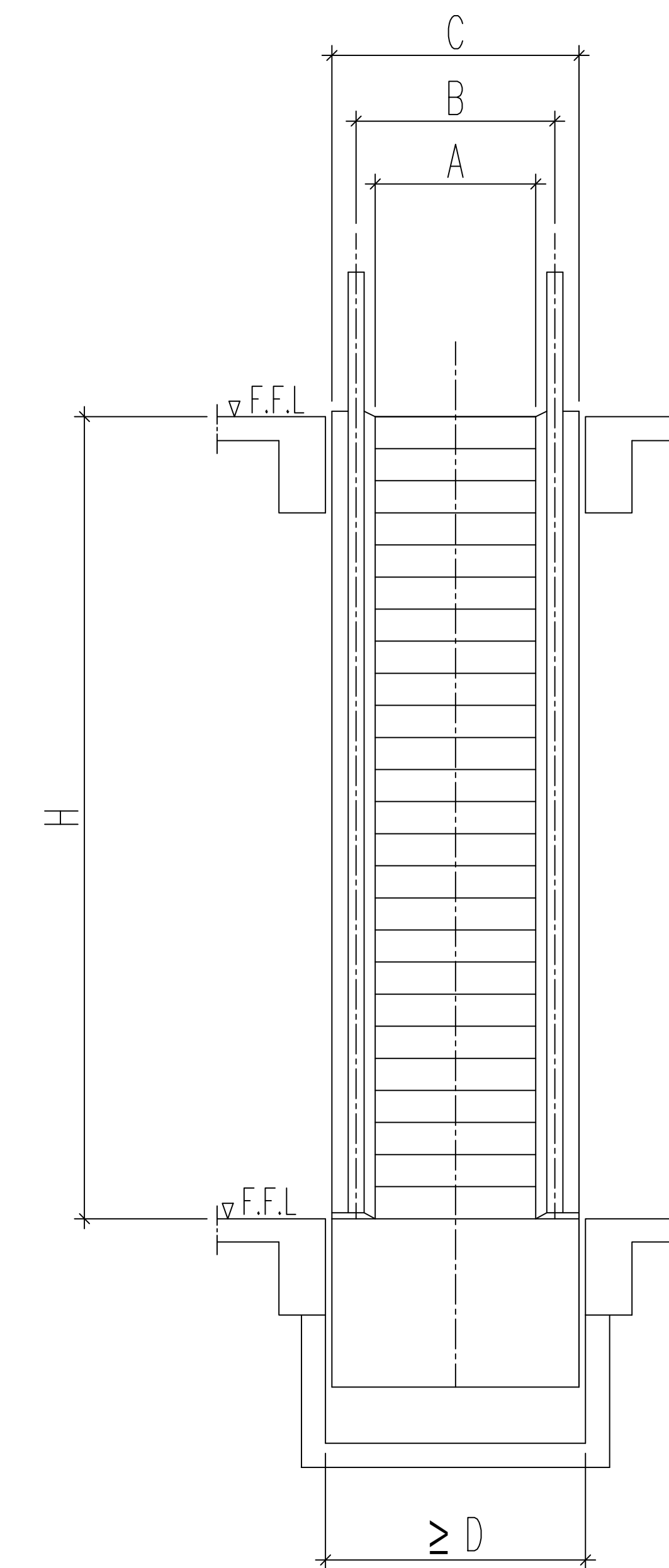
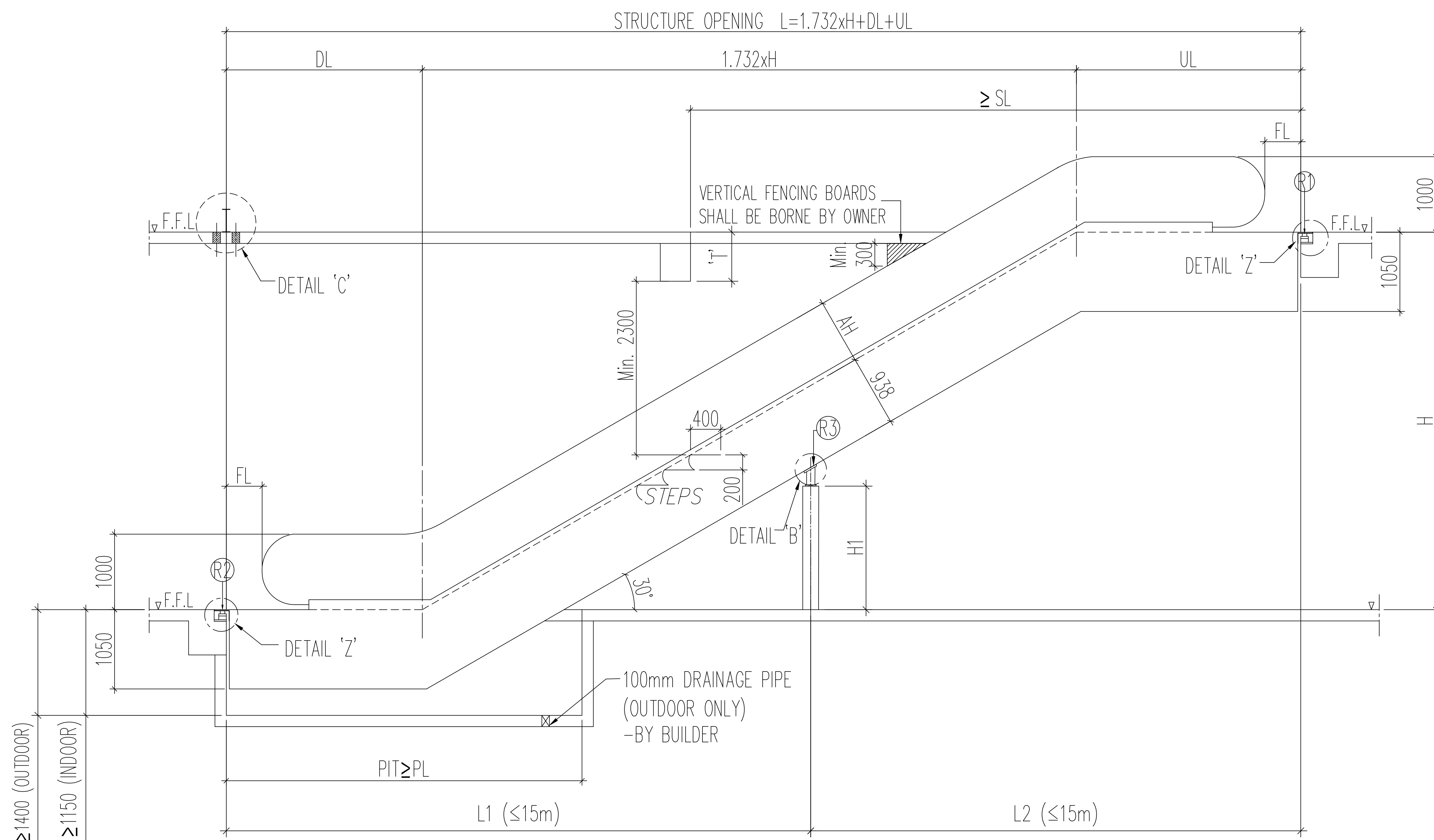


EITA-Schneider

30° ESCALATOR (ESC-CT) TECHNICAL SPECIFICATION

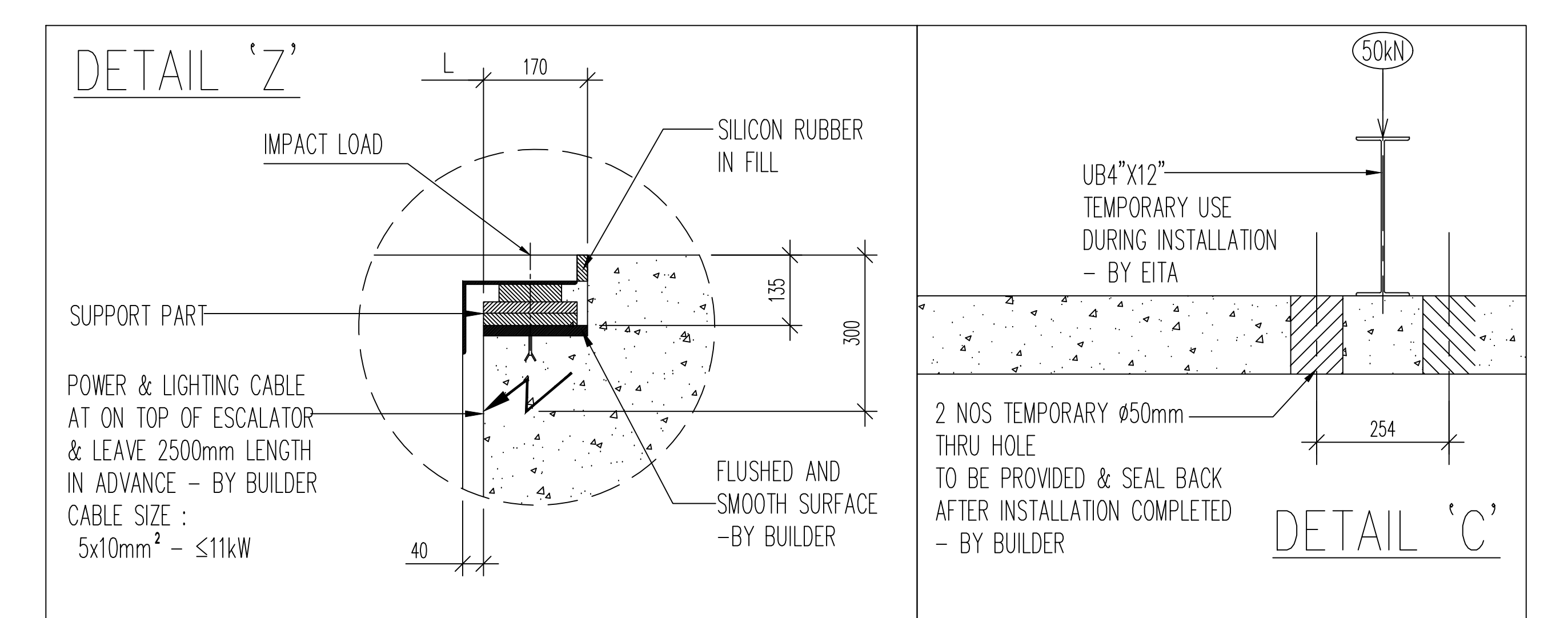
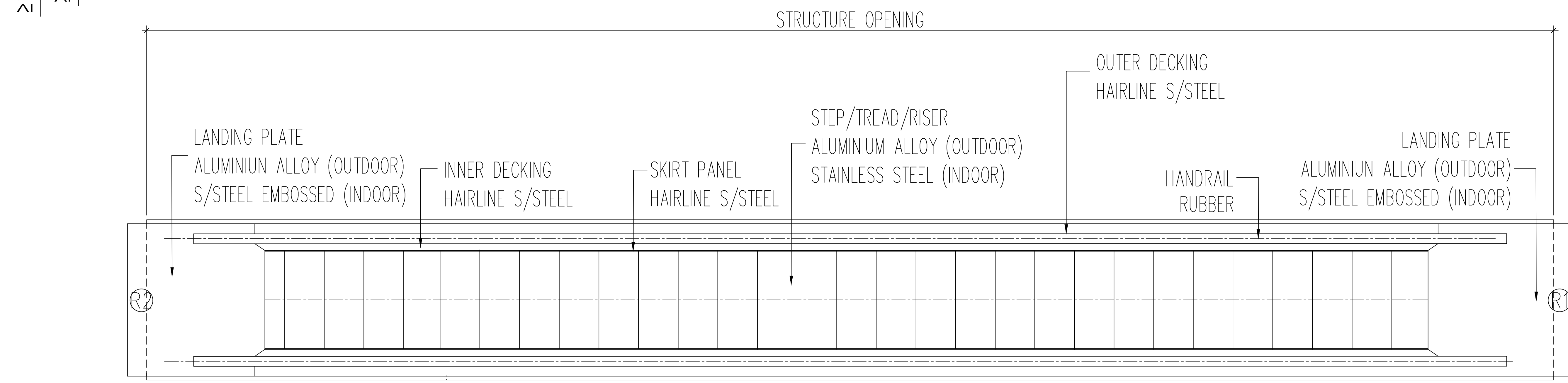
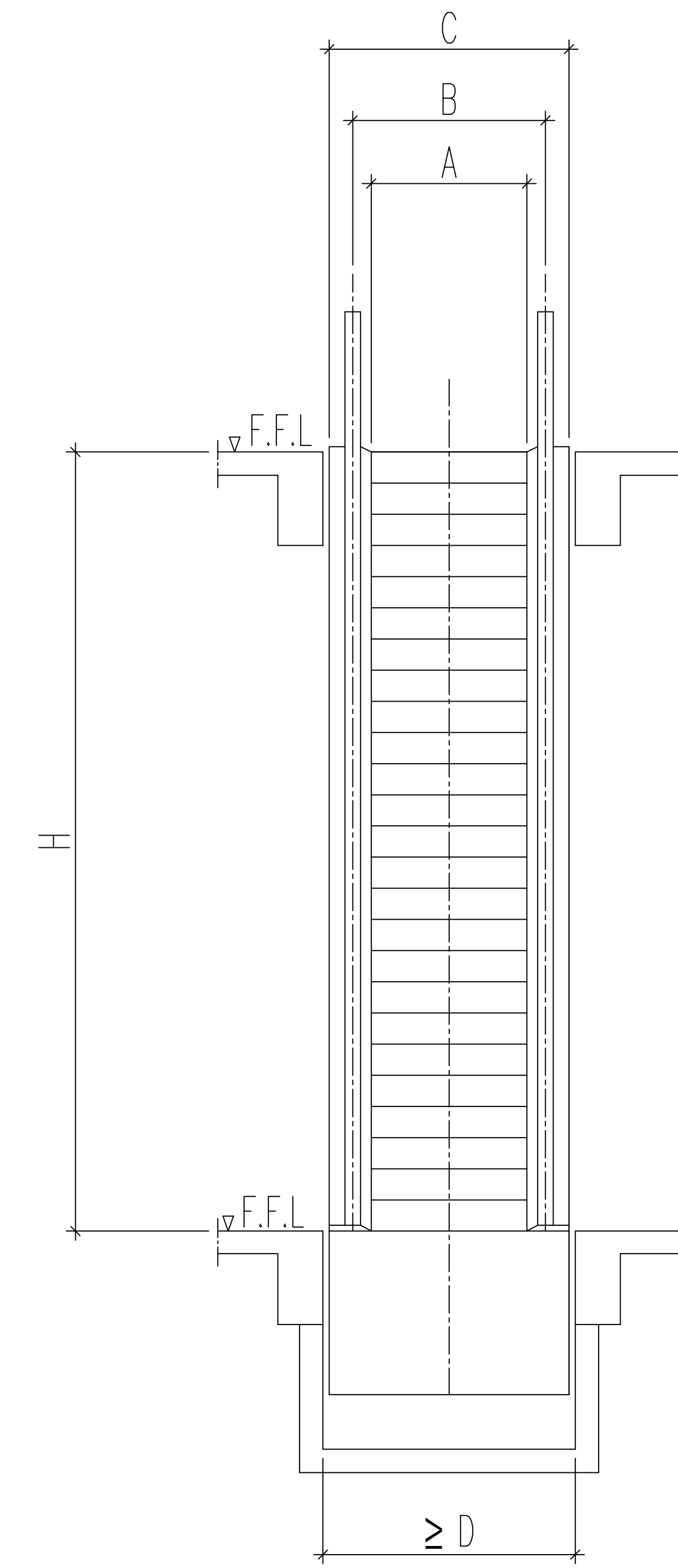
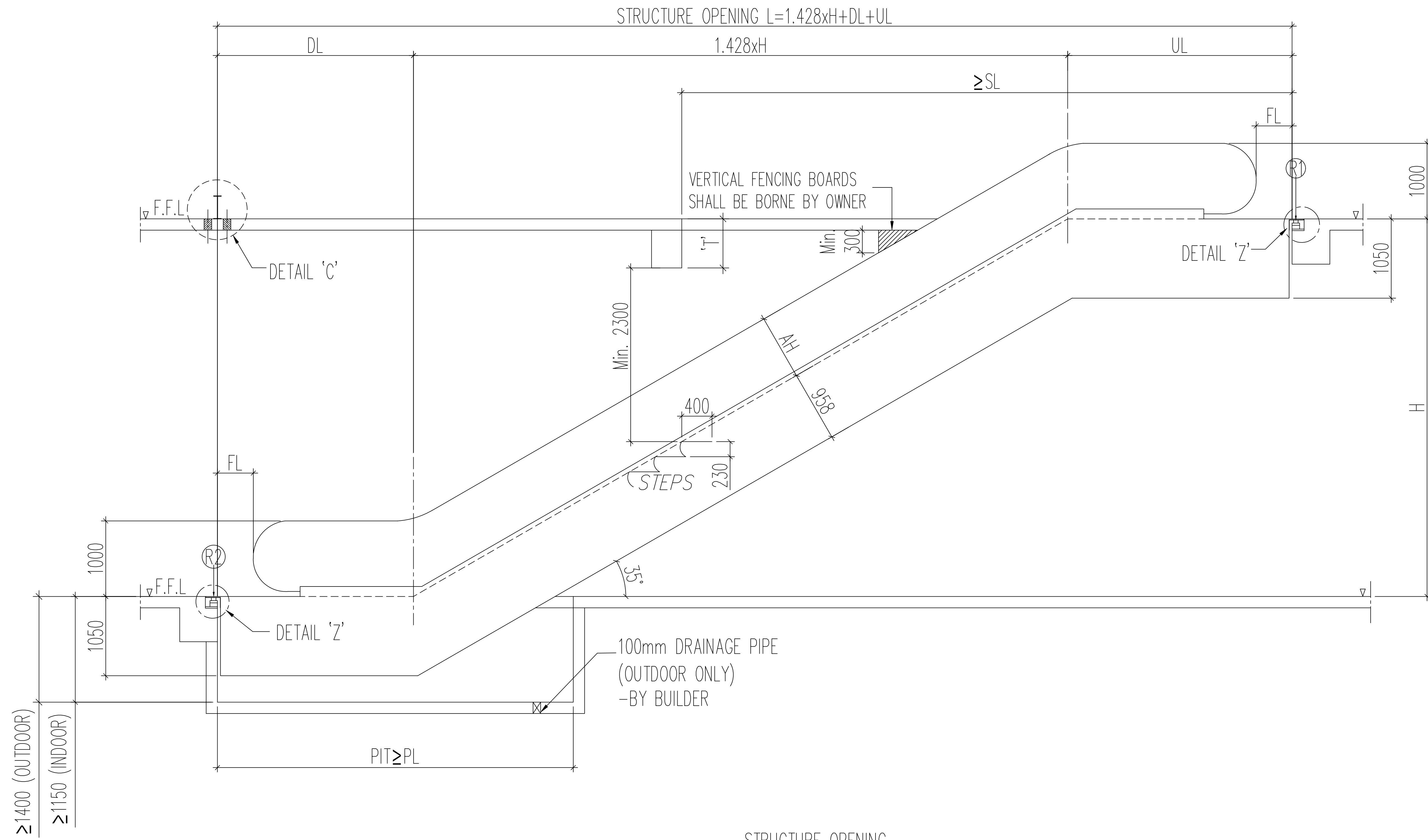


STEP WIDTH (mm)	A	B	C	D
600	600	838	1140	1200
800	800	1038	1340	1400
1000	1000	1238	1540	1600

STEP WIDTH (mm)	600	800	1000	NOTE
R1(kN)	0.0035xL+15.5	0.0040xL+17	0.0045xL+18.5	WITHOUT INTERMEDIATE SUPPORT
R2(kN)	0.0035xL+10	0.0040xL+11	0.0045xL+11.5	
R1(kN)	0.0041xL2+15.5	0.0045xL2+16.1	0.0050xL2+17.5	WITH INTERMEDIATE SUPPORT
R2(kN)	0.0041xL1+7.8	0.0045xL1+7.8	0.0050xL1+8.5	
R3(kN)	0.00425xL+9.5	0.0045xL+10.5	0.0052xL+11.5	
NOTE	L1,L2 ARE NOT MORE THAN 15000MM			

PARAMETER	2 FLAT STEP	3 FLAT STEP
DL	2195	2595
UL	2570	2970
PL	4300	4700
FL	SLIM/STANDARD HANDRAIL: 540 WIDE HANDRAIL: 605	
AH	SLIM HANDRAIL: 866 STANDARD HANDRAIL: 913 WIDE HANDRAIL: 927	
SL	1.732xT+6560	1.732xT+6960

EITA-Schneider 35° ESCALATOR (ESC-CT) TECHNICAL SPECIFICATION



STEP WIDTH (mm)	A	B	C	D
600	600	838	1140	1200
800	800	1038	1340	1400
1000	1000	1238	1540	1600

STEP WIDTH (mm)	600	800	1000
R1(kN)	0.0035xL+15.5	0.0040xL+17	0.0045xL+18.5
R2(kN)	0.0035xL+10	0.0040xL+11	0.0045xL+11.5

PARAMETER	2 FLAT STEP	3 FLAT STEP
DL	2240	2640
UL	2665	3065
PL	4100	4500
FL	SLIM/STANDARD HANDRAIL: 540 WIDE HANDRAIL: 605	
AH	SLIM HANDRAIL: 819 STANDARD HANDRAIL: 866 WIDE HANDRAIL: 880	
SL	1.428xT+5950	1.428xT+6350